

SSP1D440BDT

Harmony, Solid state relay, 40 A, panel mount, DC switching, thermal pad, input 3.5...32 V DC, output 1...150 V DC



Product availability: Stock - Normally stocked in distribution facility

Price*: 52.31 USD



Main

Range of Product	Harmony Solid State Relays
Product or Component Type	Solid state relay up to 40 A
Provided Equipment	Thermal pad
Device short name	SSP1
Mounting Support	Panel
Phase	1 phase
Line Rated Current	40 A
Solid state output type	Mosfet output DC switching
Output switching mode	DC switching

Complementary

[Uc] control circuit voltage	3.5...32 V DC
Minimum switching voltage	3.5 V DC turn-on
Maximum switching voltage	1 V DC turn-off
Response time	0.1 ms (turn-on) 0.1 ms (turn-off)
Input current limits	10...15 mA
Output voltage	1...150 V DC
Load current	0.001...40 A
Surge current	106 A 10 ms
Protection device type	Type 2 - 20 A miniature circuit breaker (MCB) B Type 1 - 40 A miniature circuit breaker (MCB) B
Maximum leakage current	0.3 mA off-state
Maximum voltage drop	<2.1 V on-state
Insulation resistance	1000 MOhm at 500 V DC
Capacitance unbalance	50 PF for input/output
Dielectric strength	2.5 KV AC for input/output 2.5 KV AC for input or output to case

[Uimp] rated impulse withstand voltage	2.5 KV output to case
Tightening torque	1.5...1.7 N.m for input 2...2.2 N.m for output
Connections - terminals	Screw terminals 0.2...3.3 mm ² , AWG 24...AWG 12) with cable end input Screw terminals 0.5...5.26 mm ² , AWG 20...AWG 10) with cable end output Screw terminals 0.2...3.3 mm ² , AWG 24...AWG 12) without cable end input Screw terminals 0.5...8.26 mm ² , AWG 20...AWG 8) without cable end output Forked type tag connectors 9.2 x 4 mm input Ring lugs 9.2 x 4 mm input Forked type tag connectors 11.7 x 4.5 mm output Ring lugs 11.7 x 4.5 mm output
Thermal resistance	0.22 °C/W junction to case
Thermal impedance	0.48 °C-in ² /W at 25 psi
Local signalling	LED, green input
IP degree of protection	IP20
Safety reliability data	B10d = 1731395 MTTFd = 1875.9 years
Net Weight	3.15 Oz (89.2 g)
Device presentation	Complete product

Environment

Ambient Air Temperature for Operation	-40...176 °F (-40...80 °C)
Ambient Air Temperature for Storage	-40...257 °F (-40...125 °C)
Pollution degree	2
Overvoltage category	III
Product Certifications	UL CE CSA EAC
Marking	EAC CSA UL CE
Standards	CSA C22.2 No 14-13 UL 508 EN/IEC 62314 EN/IEC 60950-1

Ordering and shipping details

Category	22375 - INTERFACE MODULE(ABA,R,S)
Discount Schedule	CP2
GTIN	03606485442020
Nbr. of units in pkg.	1
Package weight(Lbs)	3.67 Oz (104 g)
Returnability	Yes
Country of origin	MX

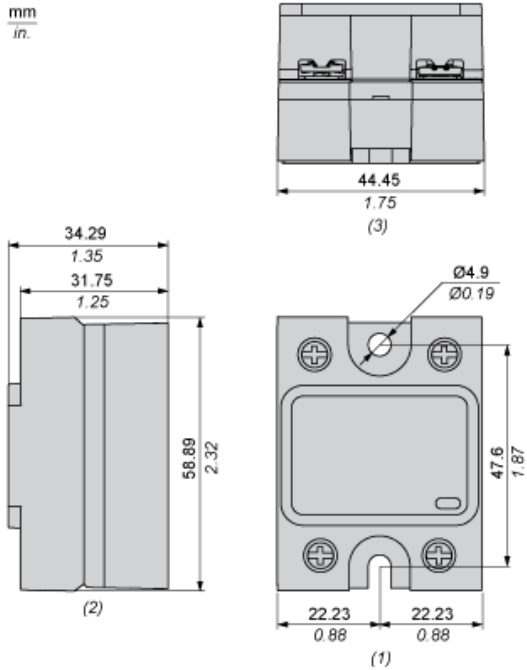
Packing Units

Unit Type of Package 1	PCE
Package 1 Height	1.50 In (3.8 cm)
Package 1 width	1.89 In (4.8 cm)
Package 1 Length	2.56 In (6.5 cm)

Offer Sustainability

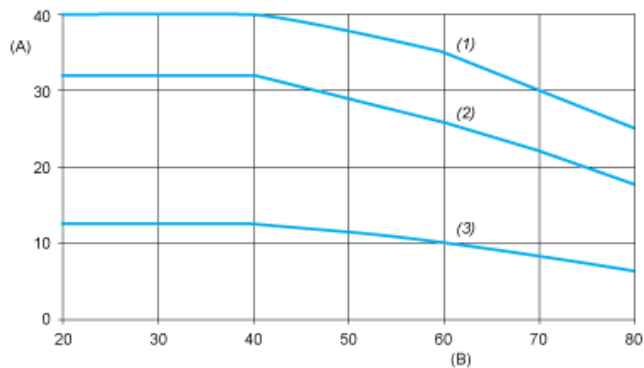
Sustainable offer status	Green Premium product
California proposition 65	WARNING: This product can expose you to chemicals including: Lead and lead compounds, which is known to the State of California to cause cancer and birth defects or other reproductive harm. For more information go to www.P65Warnings.ca.gov
REACH Regulation	REACH Declaration
REACH free of SVHC	Yes
EU RoHS Directive	Pro-active compliance (Product out of EU RoHS legal scope) EU RoHS Declaration
Toxic heavy metal free	Yes
Mercury free	Yes
RoHS exemption information	Yes
China RoHS Regulation	China RoHS Declaration
Environmental Disclosure	Product Environmental Profile
Circularity Profile	End Of Life Information

Dimensions



- (1) Front view
- (2) Side view
- (3) Bottom view

Derating Curves



- A : Load Current (Arms)
- B : Ambient Temperature (°C)
- (1) For Heatsink SSRHD10
- (2) For Heatsink SSRHP17
- (3) No Heatsink

Product Life Status : **Commercialised**